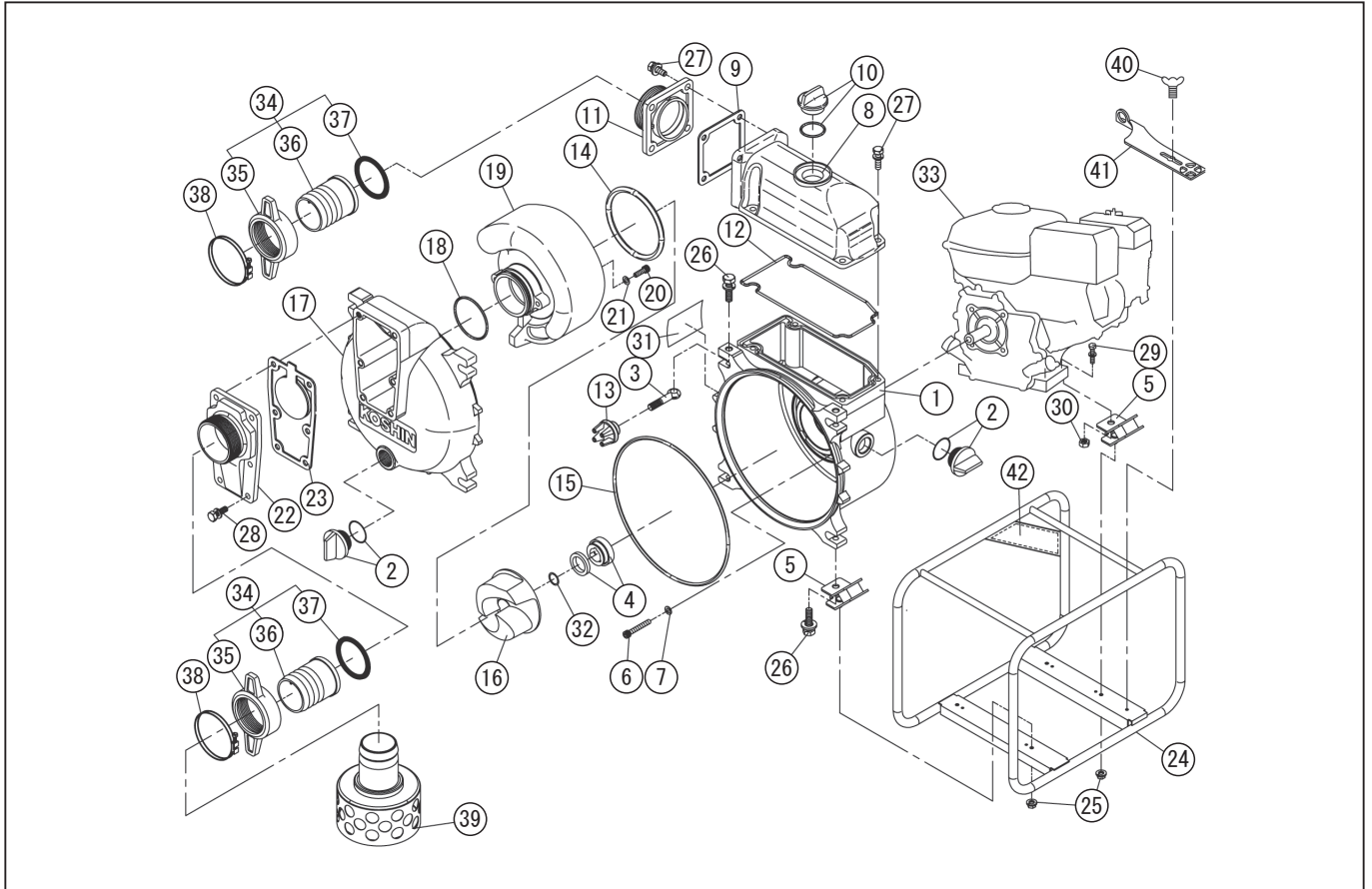


DWG No.012945401 MODELE : KTZ-80X FORM : KTZ-80X-BAA-0

No.	PARTS CODE	PARTS NAME	QTY	MATERIAL/SIZE	REMARKS
1	0122946	PUMP CASING	1	ADC	
2	0118079	25A PLUG SET	2		
3	0115580	COVER BOLT	4		
4	0115678	MECHANICAL SEAL	1		
5	0116172	CUSHION RUBBER	4	CR 60°	
6	0116516	SOCKET BOLT	4	SCM M8X55	
7	0116493	WASHER	4	A1100 PH14	
8	0115547	DELIVERY HOUSING	1	ADC	
9	0123206	FLANGE PACKING	1	CR	
10	0118450	32A PLUG SET	1		
11	0115838	DELIVERY FLANGE (G)	1	ADC	
12	0123207	HEAD PACKING	1	NBR	
13	0115590	KNOB	4		
14	0123217	CASING PACKING	1	NBR	
15	0123208	FRONT COVER PACKING	1	NBR	
16	0115558	IMPELLER	1	HRFC	
17	0121900	FRONT COVER	1	ADC	
18	0115676	O-RING	1	NBR	
19	0121908	VOLUTE CASING	1	FCD450	
20	0121539	SOCKET BOLT	3	SUS M8X35	
21	0121540	WASHER	3		
22	0111573	SUCTION FLANGE (G)	1	ADC	
23	0115692	CHECK VALVE PACKING	1	NBR	
24	0127326	BASE SET	1		
25	842319008	SPRING NUT	4	SWRM M8	
26	743119083	BOLT	4	SWRM M12×45	
27	743119063	BOLT	8	SWRM M10×30	
28	743119061	BOLT	6	SWRM M10×25	
29	743119065	BOLT	2	SWRM M10×35	
30	827419010	NUT	2	SWRM M10	

◆ Bare engine can not be supplied



DWG No.012945401 MODELE : KTZ-80X FORM : KTZ-80X-BAA-0

No.	PARTS CODE	PARTS NAME	QTY	MATERIAL/SIZE	REMARKS
31	0123342	NAME PLATE	1		
32	0110081	ADJUSTING WASHER	3	T0.3	
33	0123338	ENGINE	1	K300-C0-P	
34	0127312	COUPLING SET	2		
35	0114375	COUPLING	2	ABS	
36	0110301	NIPPLE	2	ABS	
37	0123216	COUPLING PACKING	2	NBR	
38	940407090	HOSE BAND	3	3"	
39	0110978	STRAINER	1	SPC	
40	741305153	WING BOLT	1	SUS M8X15	
41	0115767	TOOL	1	SPC	
42	0122307	SIDE PANEL LABEL	1		

◆ Bare engine can not be supplied